

Petra

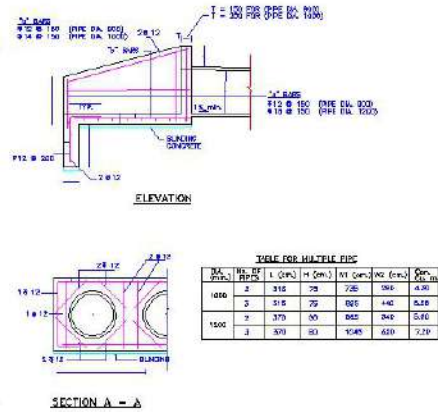
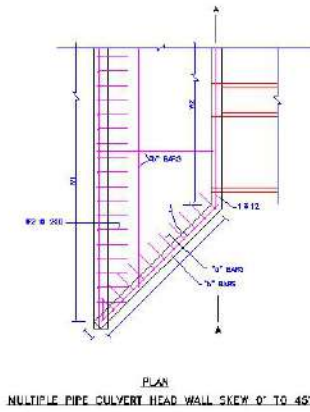
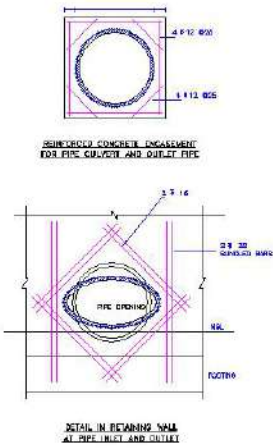
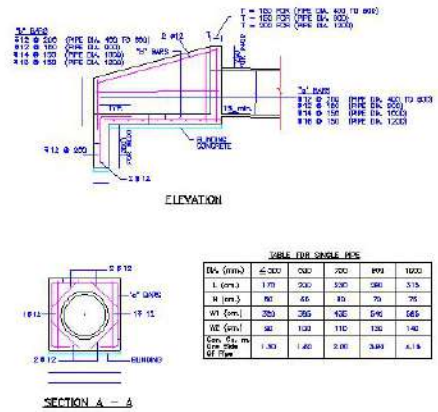
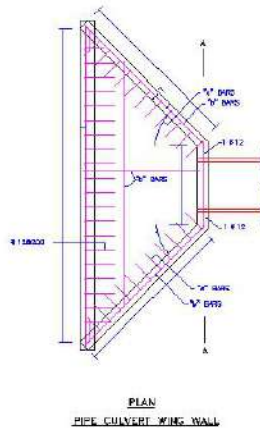
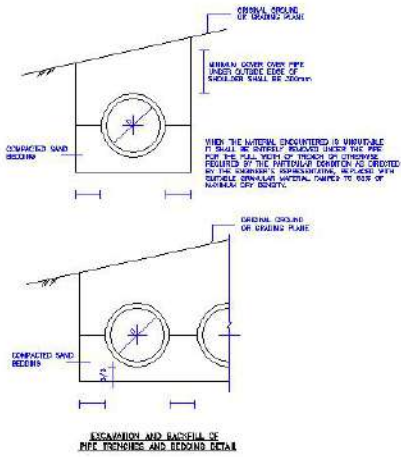
Petra Development & Tourism Region Authority

***Petra Development & Tourism
Region Authority***

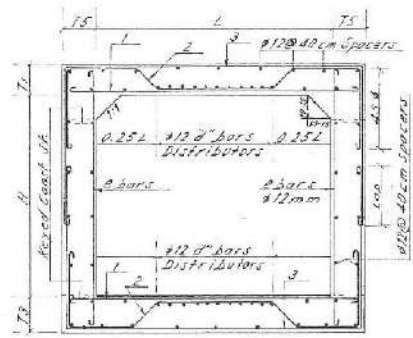
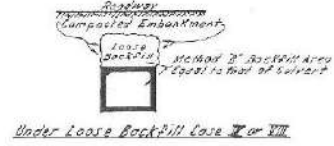
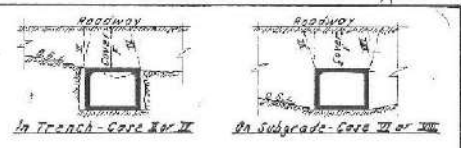
Dera Qmash Street project

2021





Culvert	Thickness	List of Reinforcing Steel														Quantities		Max. Cover	
		1		2		3		Dist. bars		"s" bars		"s" bars		Concrete	Steel	C.C.P. (kg)	C.C.P. (kg)	F	A
		Length	Area	Length	Area	Length	Area	Length	Area	Length	Area	Length	Area						
2.0	1.0	1.0	1.0	1.0	1.0	1.0	1.0	1.0	1.0	1.0	1.0	1.0	1.0	1.0	1.0	1.0	1.0	1.0	

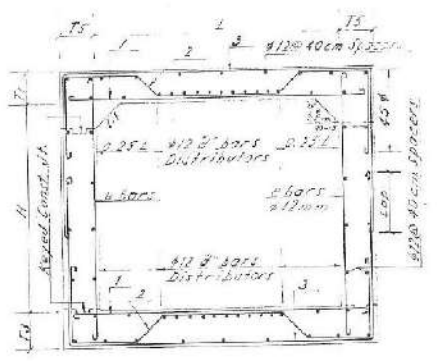
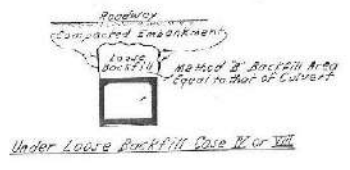
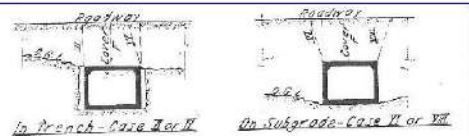


MINISTRY OF PUBLIC WORKS
 BRIDGE SECTION
 BOX CULVERTS
 ONE OPENING
 SHEET No. 10 1-1-1973



Area	Project
Scale	Sheet No.
Date	Appr. No.

Culvert		Thickness		List of Reinforcing Steel																Quantities		Max. Cover	
Chamber Height	Top Slab	Bottom Slab	Side Walls	1				2				3				4				Concrete	Steel	Cement	Area
				Length	Diagonal	Vertical	Horizontal	Length	Diagonal	Vertical	Horizontal	Length	Diagonal	Vertical	Horizontal	Length	Diagonal	Vertical	Horizontal				
m.	m.	m.	m.	m.	m.	m.	m.	m.	m.	m.	m.	m.	m.	m.	m.	m.	m.	m.	m.	m.	m.		
Single Box Culverts																							
2.05	2.0	2.0	1.5	25	25	25	25	25	25	25	25	25	25	25	25	25	25	25	25	25	25		
2.00	1.95	1.9	1.4	25	25	25	25	25	25	25	25	25	25	25	25	25	25	25	25	25	25		
1.95	1.9	1.85	1.35	25	25	25	25	25	25	25	25	25	25	25	25	25	25	25	25	25	25		
1.90	1.85	1.8	1.3	25	25	25	25	25	25	25	25	25	25	25	25	25	25	25	25	25	25		
1.85	1.8	1.75	1.25	25	25	25	25	25	25	25	25	25	25	25	25	25	25	25	25	25	25		
1.80	1.75	1.7	1.2	25	25	25	25	25	25	25	25	25	25	25	25	25	25	25	25	25	25		
1.75	1.7	1.65	1.15	25	25	25	25	25	25	25	25	25	25	25	25	25	25	25	25	25	25		
1.70	1.65	1.6	1.1	25	25	25	25	25	25	25	25	25	25	25	25	25	25	25	25	25	25		
1.65	1.6	1.55	1.05	25	25	25	25	25	25	25	25	25	25	25	25	25	25	25	25	25	25		
1.60	1.55	1.5	1.0	25	25	25	25	25	25	25	25	25	25	25	25	25	25	25	25	25	25		
1.55	1.5	1.45	0.95	25	25	25	25	25	25	25	25	25	25	25	25	25	25	25	25	25	25		
1.50	1.45	1.4	0.9	25	25	25	25	25	25	25	25	25	25	25	25	25	25	25	25	25	25		
1.45	1.4	1.35	0.85	25	25	25	25	25	25	25	25	25	25	25	25	25	25	25	25	25	25		
1.40	1.35	1.3	0.8	25	25	25	25	25	25	25	25	25	25	25	25	25	25	25	25	25	25		
1.35	1.3	1.25	0.75	25	25	25	25	25	25	25	25	25	25	25	25	25	25	25	25	25	25		
1.30	1.25	1.2	0.7	25	25	25	25	25	25	25	25	25	25	25	25	25	25	25	25	25	25		
1.25	1.2	1.15	0.65	25	25	25	25	25	25	25	25	25	25	25	25	25	25	25	25	25	25		
1.20	1.15	1.1	0.6	25	25	25	25	25	25	25	25	25	25	25	25	25	25	25	25	25	25		
1.15	1.1	1.05	0.55	25	25	25	25	25	25	25	25	25	25	25	25	25	25	25	25	25	25		
1.10	1.05	1.0	0.5	25	25	25	25	25	25	25	25	25	25	25	25	25	25	25	25	25	25		
1.05	1.0	0.95	0.45	25	25	25	25	25	25	25	25	25	25	25	25	25	25	25	25	25	25		
1.00	0.95	0.9	0.4	25	25	25	25	25	25	25	25	25	25	25	25	25	25	25	25	25	25		
0.95	0.9	0.85	0.35	25	25	25	25	25	25	25	25	25	25	25	25	25	25	25	25	25	25		
0.90	0.85	0.8	0.3	25	25	25	25	25	25	25	25	25	25	25	25	25	25	25	25	25	25		
0.85	0.8	0.75	0.25	25	25	25	25	25	25	25	25	25	25	25	25	25	25	25	25	25	25		
0.80	0.75	0.7	0.2	25	25	25	25	25	25	25	25	25	25	25	25	25	25	25	25	25	25		
0.75	0.7	0.65	0.15	25	25	25	25	25	25	25	25	25	25	25	25	25	25	25	25	25	25		
0.70	0.65	0.6	0.1	25	25	25	25	25	25	25	25	25	25	25	25	25	25	25	25	25	25		
0.65	0.6	0.55	0.05	25	25	25	25	25	25	25	25	25	25	25	25	25	25	25	25	25	25		



MINISTRY OF PUBLIC WORKS
 BRIDGE SECTION
 BOX CULVERTS
 ONE OPENING
 SHEET NO. 9 I.1.1972

